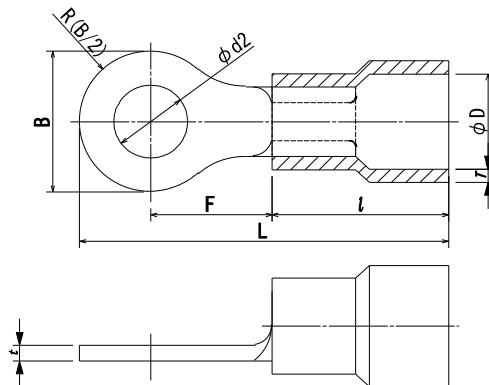


ナイロン絶縁被覆付圧着端子

INSULATED TERMINALS

■ 銅線用絶縁被覆付圧着端子(NBT型)



単位: mm

| 呼び | 標準色 | ϕd_2 | B | L | F | ϕD | l | T | 適合工具 | | t | |
|------|------|------------|------|-------|------|----------|------|------|-------------------|-------|----|------|
| | | | | | | | | | 撚線 mm^2 | AWG | | |
| 1.25 | 赤 | 2.2 | 5.5 | 17.2 | 4.45 | 4.2 | 10.0 | 0.75 | 0.25 S 1.65 | 22-16 | 3D | 0.75 |
| | | 3.2 | 6.5 | 18.8 | 5.55 | | | | | | | |
| | | | 5.8 | 18.45 | | | | | | | | |
| | | | 8.0 | 21.0 | | | | | | | | |
| | | 3.7 | 5.5 | 17.2 | 4.45 | | | | | | | |
| | | | 6.5 | 18.8 | 5.55 | | | | | | | |
| | | 4.3 | 5.8 | 18.45 | | | | | | | | |
| | | | 8.0 | 21.0 | 7.0 | | | | | | | |
| | | 5.3 | 6.5 | 18.8 | 5.55 | | | | | | | |
| | | | 6.5 | 18.8 | | | | | | | | |
| | | 6.4 | 8.0 | 21.0 | 7.0 | | | | | | | |
| | | 8.4 | 8.0 | 21.0 | 7.0 | | | | | | | |
| | | | 6.4 | 12 | 25.2 | | | | | | | |
| | | 8.4 | 12 | 25.2 | 9.2 | | | | | | | |
| 10.5 | 13.6 | 30.7 | 13.9 | | | | | | | | | |

富士端子工業株式会社